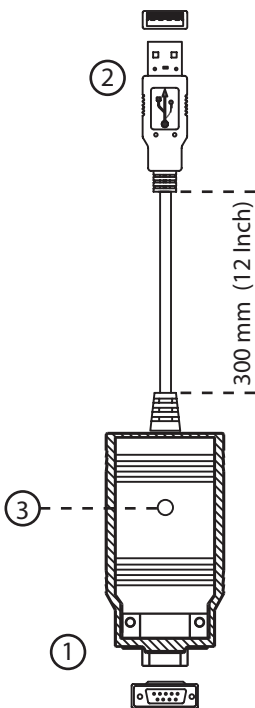
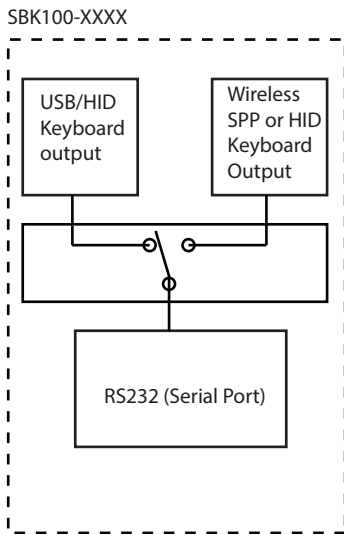


SBK100 is a new connectivity product designed and build by Intelletto Technology. This device can be used to convert output of a serial (RS232) device to keyboard strokes and send the data to a host through USB or wireless connection. SBK100 can be used with PC, Mac and compatible devices such as IPAD, PlayBook, Android Tablets and smart cell phones.

In the absence of a wireless connection to SBK100, the data received at Serial (RS232) end will be routed to USB port by default. Once a wireless connection intercepted SBK100 will transfer the data from the serial end to the wireless connection . HID keyboard and serial profiles are available for wireless connectivity. Users may choose a model based on their need and application. SBK100 draws power from USB port and requires no external power supply. 5 Volts power output is available on pin9 of RS232 port as an option.



Note: Items marked with ** are considered special orders (minimum order required or extra charge will apply)

Part Number Assembly	Product Identifier	Baud Rate bps	Profile	USB/HID Keyboard Layout	RS232 Power
	SBK100 - X	3 (9600)	X 0 (SPP- Slave) 1 (HID Keyboard) ** 2 (SPP- Master) **	X E (English) F (French) D (German)	X P(Power to pin9) **
Certifications & Compliance	FCC, ICS, CE and RoHS				
Connectivity	Wireless serial or HID keyboard				
Baud Rate Options	9600 bps, others up on request				
Keyboard Layout Option	English				
Power to RS232 device**	USB power connected to pin 9 of serial port ** (Limited current less than 400mA can be supplied)				
Color	Black				
Cable Length	300 mm (12 Inch)				
Power	USB power, no external power supply				
Host	PC, MAC, IPAD, PlayBook, Android Tablets and etc.				
RS232 Connection	SBK100 RS232 pins		Your device RS232 pins		
	2(RX)	_____	TX		
	3(TX)	_____	RX		
	5(GND)	_____	GND		
	9(+5v)	_____	Rs232 Power(optional)	Pin 9	
Drawing Legend	① Serial port (RS232) DB9 Male Connector ② Serial port (USB) USB A Connector ③ Working indicator LED				